



## Radar Motor Drive Module

Thank you for purchasing one of our RC Modules. We hope it will give you many years of trouble free service. If you have any problems with your module, please either email or contact our technical support helpline on the number provided at the bottom of this page. We are sorry that it is a mobile number, but we work between three sites and find that our mobile phones are far more versatile for our non –electronic communication needs.

Your Radar Motor Drive Module has our latest improved firmware and an onboard multi-function LED. This LED not only gives you an indication when the Module is active and 'ON' or 'OFF' it detects and displays any signal errors you may have from your transmitter being switched off, signal error or if your RC Kit is incompatible with standard PWM/PPM protocols. It also gives you an assuring 3 Flash 'Greeting' to let you know all is well and ready for work.

Before pressing your switching module into service, please carefully read through the installation drawings, notes and information below.

It may well be we are 'trying to tell Grandma how to suck eggs' or as we find, information such as below is sometimes priceless knowledge, and in our instance, knowledge which we have gained over 40 years of Avionic Electronic Engineering Design and Construction experience and practices.

The module has been designed to support ONE Motor Assembly. No damage will be sustained to the module if you decide to connect more than one Motor, however you may notice a slight deterioration in performance should you decide to do so, however, please bear in mind that a maximum current drain of 300mA exists. If you exceed this limitation damage may occur.

Irreparable damage may occur to the internal components of the module if you:

Short Circuit the 'Load' Connections.

Exceed the Maximum 300mA Limit

Allow water or fluid to enter the module.

A major factor in the design and application was to simplify the connectivity between receiver and output connections. In doing so has meant that the module will not lend itself to be driven from anything other than a standard three wire servo protocol connection arrangement. Simplified, irreparable damage will occur to the module if you attempt to drive it from anything than your receiver.

Should you need technical support for your purchase, please call +447462655578 075 9999 8183 between 9:30am and 5pm Monday to Friday.

Email: [support@mr-rcworld.co.uk](mailto:support@mr-rcworld.co.uk)

Please Note...

To maintain our multiple order carriage discounts to you, if your order was for more than one module of the same kind, we will only have sent you one set of documentation. If you need more copies, please contact us to where we will send you printable .pdf's or you can download a copy from our website, [www.mr-rcworld.co.uk](http://www.mr-rcworld.co.uk). to where you can make as many copies as you wish.

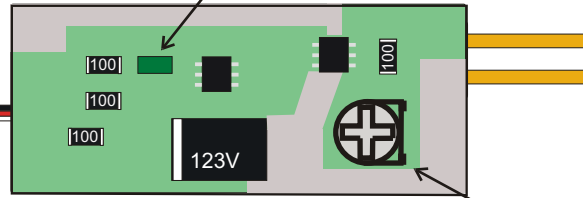
A VALID RC SIGNAL IS REQUIRED TO TURN THE SPEED CONTROLLER 'ON'



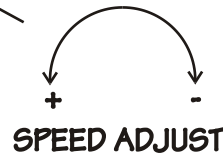
THE LED WILL FLASH THREE TIMES ON POWER UP TO SHOW IT IS INITIALISED AND READY FOR WORK

IF THE LED IS PERMANENTLY ILLUMINATED, THERE IS EITHER NO RC SIGNAL PRESENT OR THE TRANSMISSION SIGNAL PROTOCOL IS INCORRECT

WHEN A VALID RC SIGNAL IS RECEIVED THE GREEN ONBOARD LED IS ILLUMINATED.



USING A 1.3mm WATCHMAKERS DRIVER OR A TRIMMING TOOL CAREFULLY ADJUST THE PRESET TO THE DESIRED MOTOR SPEED.



TERMINAL HOUSING

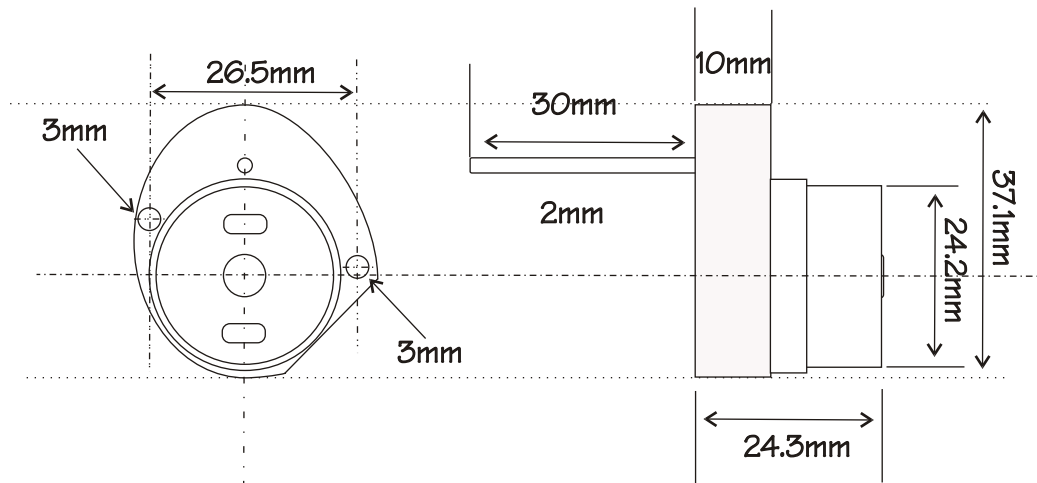
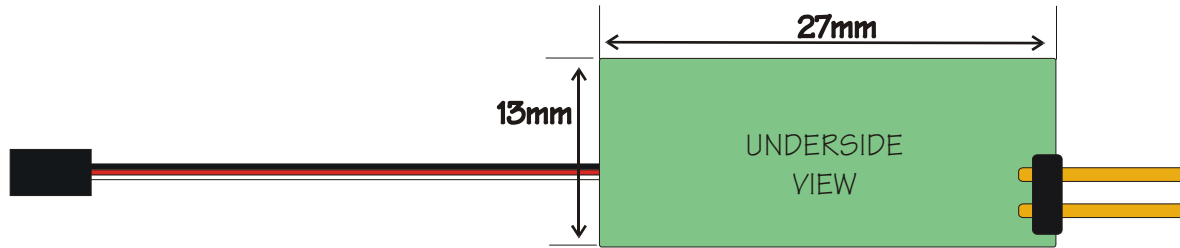


CRIMP TERMINAL



THE MOTOR SPEED CONTROL VOLTAGE IS VARIABLE BETWEEN 0.8V (800mV) AND 4.98V

**\*\*\*\*\*IMPORTANT\*\*\*\*\***  
**DO NOT EXCEED 300mA**  
**MAXIMUM LOAD**



Rev No	MR RC WORLD
JUN 2012	
RC Motor Controller Module For Model Radar and Winch Motors	
Eng.	
Scale 1:1	Drawing No 1 of 1